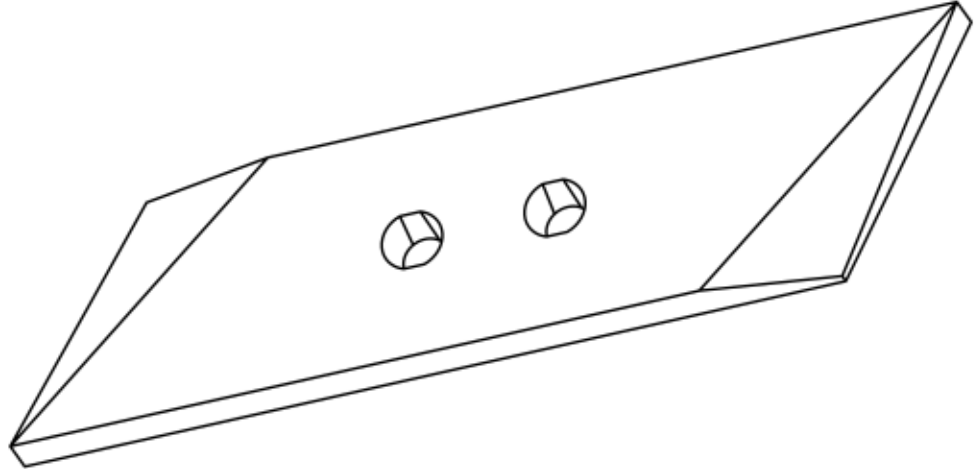
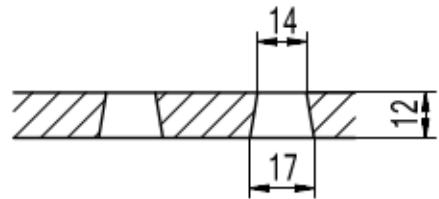


SECTION A-A



HA3090
HA3091