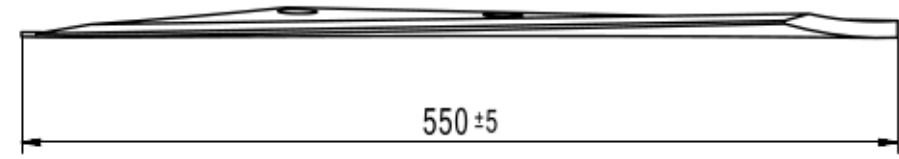
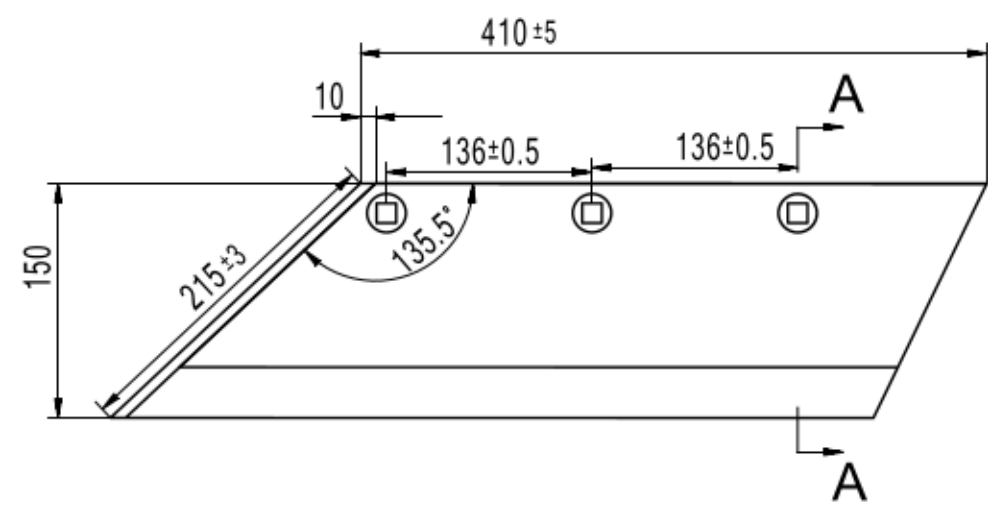


1 2 3 4 5 6

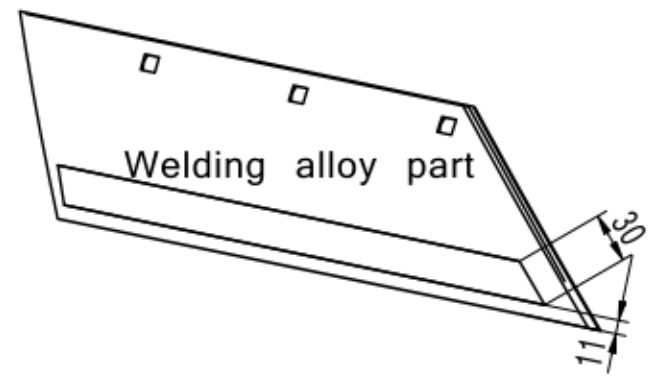
A



B



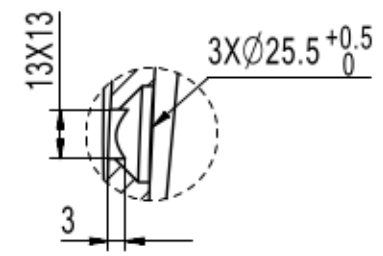
C



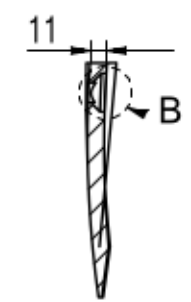
A

B

DETAIL B
1:2



SECTION A-A



C

D

HA2234
HA2235

D

1 2 3 4 5 6 A4