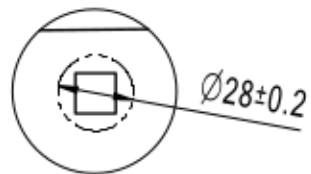
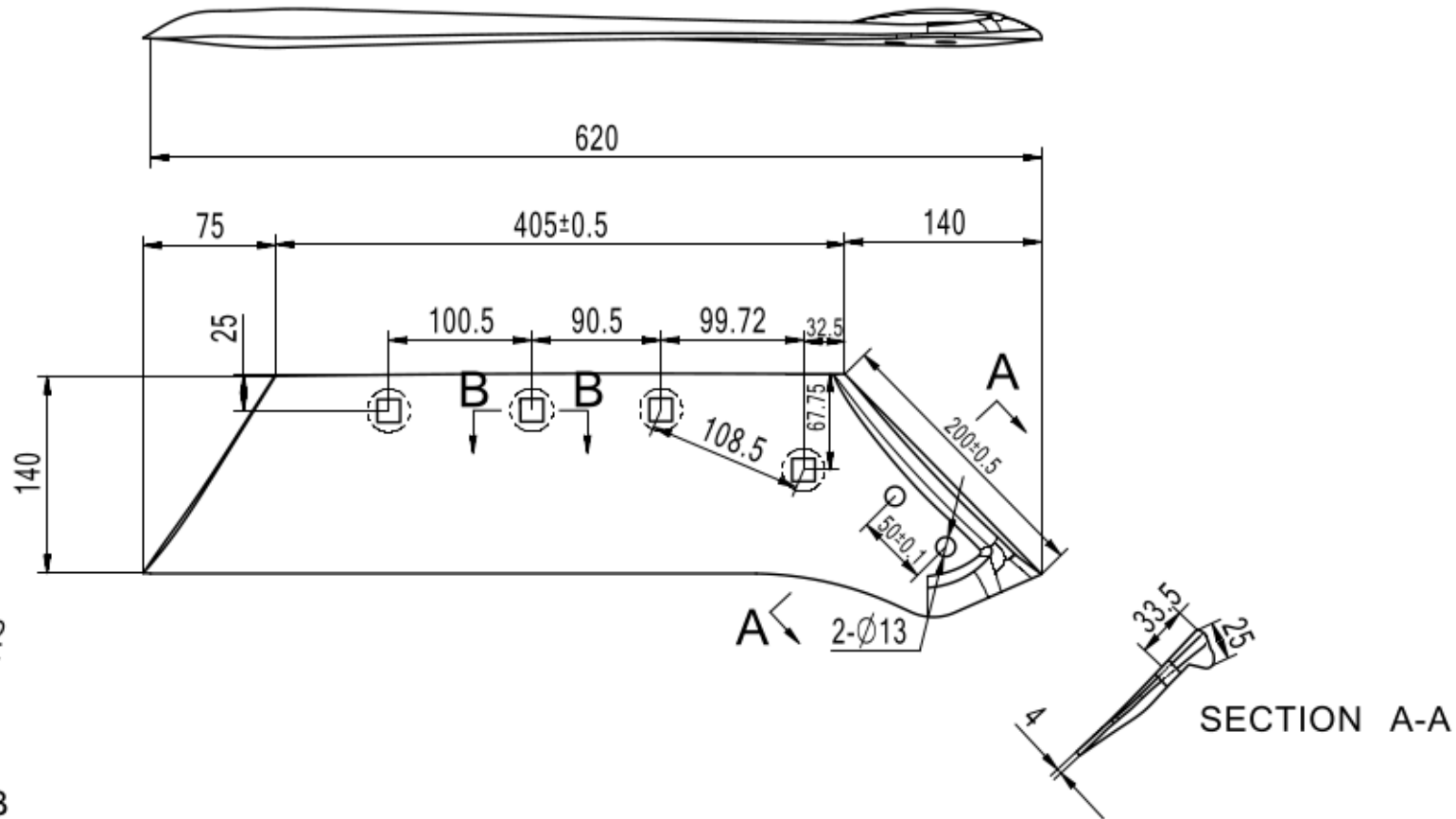
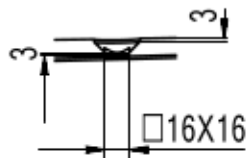


DETAIL C
1:3



SECTION B-B



HA8123
HA8124